

# Home Ceiling Mount

NX40WH-0014HM  
NX40CR-0014HM  
NX40TG-0014HM

Home Mount Set 40mm - White  
Home Mount Set 40mm - Chrome  
Home Mount Set 40mm - Titanium Gold

NX45WH-0014HM  
NX45CR-0014HM  
NX45TG-0014HM

Home Mount Set 45mm - White  
Home Mount Set 45mm - Chrome  
Home Mount Set 45mm - Titanium Gold

The X-Pole home mount is designed to be the perfect balance between discretion and safety for a permanent, non-intrusive mount which simply blends into the ceiling and surroundings. Supplied in 40 and 45mm versions, using different top inserts, and available in 3 colours (White, Chrome and Titanium Gold). The home mount is designed for non-commercial use in a home environment.

The home mount set consists of a mount with an articulating bearing, top insert (short shaft) and 4 screws. The mount should be attached to the ceiling, using the included screws onto a solid retaining surface (joist or concrete) using all 4 screws to ensure maximum stability and safety.

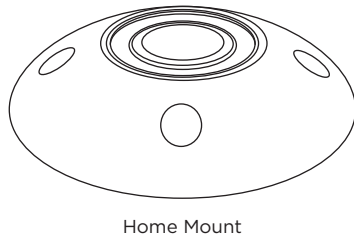
Please read the instructions on the reverse of this sheet to ensure correct installation of the mount. It is strongly recommended that a professional is used to install this mount.

Pole Dimensions - the home ceiling mount is only 20mm in depth - see section 5 on reverse side. If it is to be used with an existing pole, the height/pole length calculations will need re-calculating to ensure the adjuster is not over extended (adjuster extension maximum 125mm). An additional or different size extension may be required.



## Home Mount Contents

Home Mount  
Top Insert  
Screws - 4pcs (5 x 40mm)



1

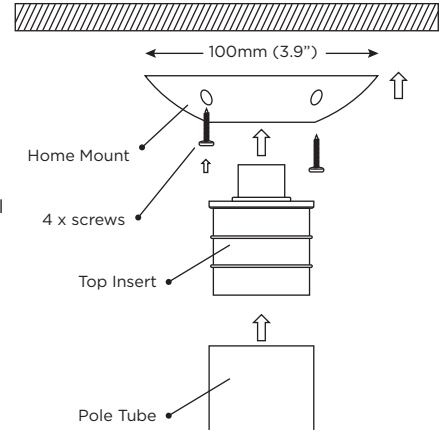
2

## Assembly outline

The home mount is attached to the ceiling using screws into a solid surface such as a joist or concrete.

For concrete additional fixings will be needed - not supplied - a professional installer can advise.

The Top Insert is attached at the top of the pole tube and then inserted into the bearing of the mount.



3

## Installation

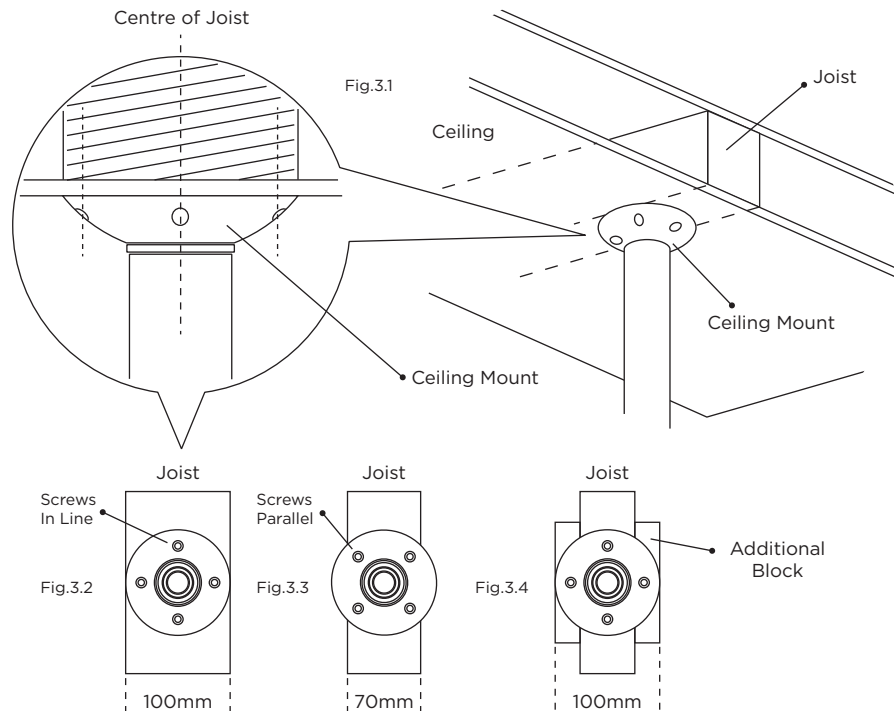
**Important** - A professional installer should be used to install the mount. The Home mount must be securely attached to the ceiling.

Centre the mount to the joist ensuring 2 screws are in line with the joist (Fig. 3.2). Firmly tighten all 4x screws included into the joist.

Where the joist is not wide enough for 4 screws in line, the mount can be rotated and mounted with the screws parallel (Fig. 3.3 - joist width minimum 70mm). A thinner joist can be widened by adding additional support blocks to the joist (Fig. 3.4 - joist width + 2x blocks, total minimum width 100mm).

2pcs screws, installed in line with the joist, can be used but this will reduce the stability and security of the mount.

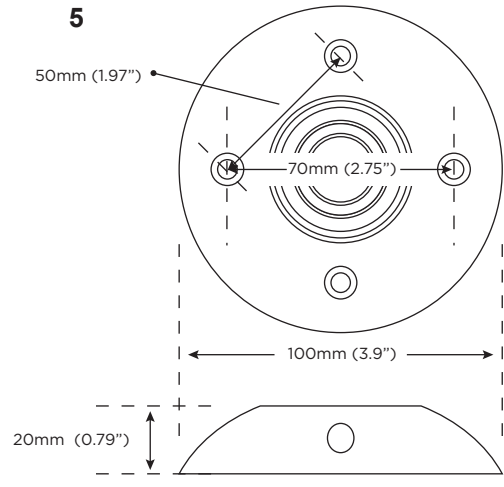
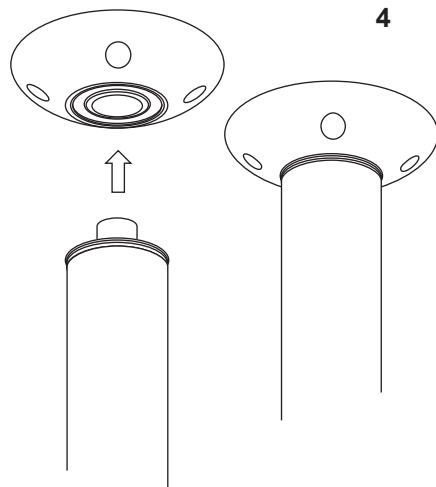
Use with 2 screws will be at installers and users discretion.



Locate the top insert shaft into the bearing. Align the pole vertically from 2 sides at 90° (use a 'spirit level' or vertical references - door frame, window frame etc.) for guidance.

Expand the adjuster and the tighten pole. Tighten with one hand till tight and then apply one further rotation and lock adjuster. Do not over tighten. The pole should rotate freely on spin mode.

**WARNING:** Use of this mount and pole are at users discretion. It is important that the mount and pole tightness are checked at regular intervals during use. If in any doubt over installation or use immediately contact the local X-Pole office for advice.



**International Head Office:**  
X-Pole UK & Europe  
Email: [info@x-pole.co.uk](mailto:info@x-pole.co.uk)  
[www.x-pole.co.uk](http://www.x-pole.co.uk)

Vertical Leisure Ltd  
Unit 2, 181 Victoria Road,  
New Barnet,  
Hertfordshire,  
EN4 9PA

**X-POLE**  
INTERNATIONAL

**X-Pole USA**  
Email: [info@xpoleus.com](mailto:info@xpoleus.com)  
[www.xpoleus.com](http://www.xpoleus.com)

**X-Pole Asia**  
Email: [sales@x-pole.asia](mailto:sales@x-pole.asia)  
[www.x-pole.asia](http://www.x-pole.asia)

**X-Pole Australia**  
Email: [sales@xpole.com.au](mailto:sales@xpole.com.au)  
[www.x-pole.com.au](http://www.x-pole.com.au)

**X-Pole New Zealand**  
Email: [sales@x-pole.co.nz](mailto:sales@x-pole.co.nz)  
[www.x-pole.co.nz](http://www.x-pole.co.nz)

**X-Pole South Africa**  
Email: [sales@x-pole.co.za](mailto:sales@x-pole.co.za)  
[www.x-pole.co.za](http://www.x-pole.co.za)